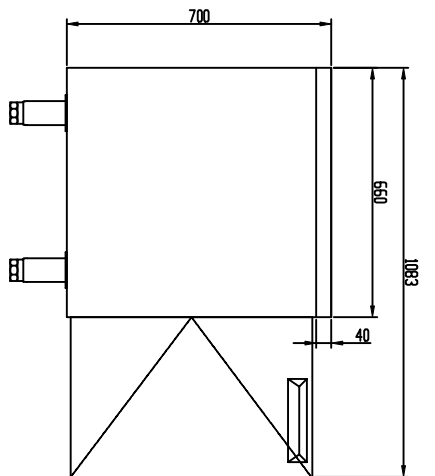
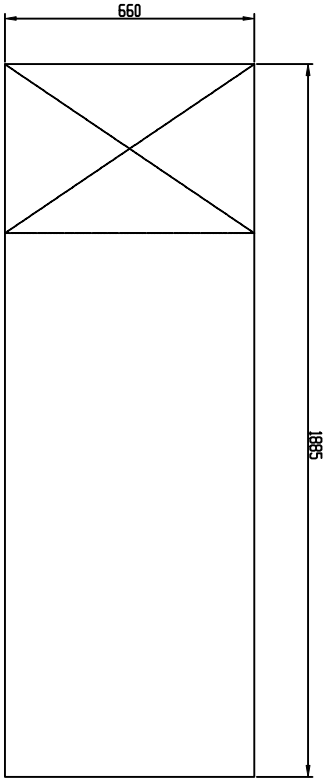


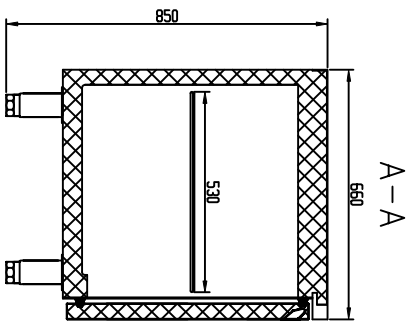
ELEVATION
???



SIDE VIEW
???



PLAIN
???



SECTION VIEW
?????

L-PW6T3HHH

??		
???	????304#???	
???	???????	
???	304#2B	
???	??????35???????	
???	????65?	
???	-22/-18?	
???	??	
???	???????	
???	R404a	
??	/	
??	??220V 50HZ 1PHASE	
???	??10A?????	
??	??1000mm?	+1mm
??	??2000mm?	+2mm
??	??	

Project No:
 Date: 9/4/2018
 Qty: 1
 Checked:
 Approved:
 Title:
 Drawing No:

Alteration By			Date	DESCRIPTION
??	/	??	/	???